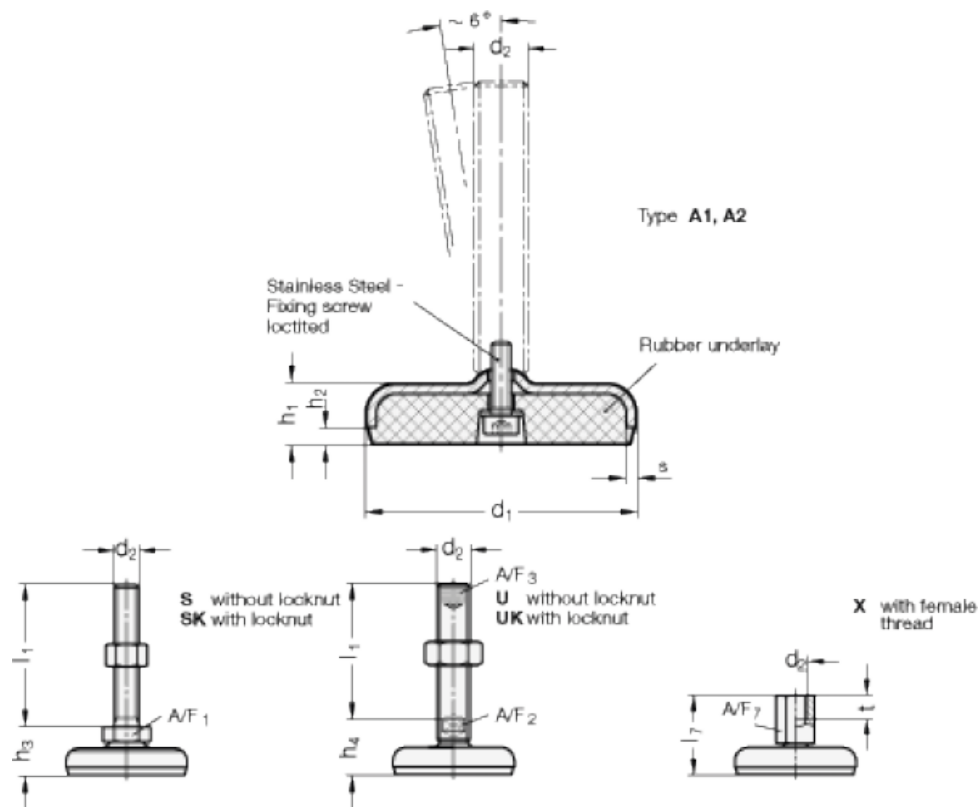


Article number: 2030100M1260A1SK  
 Description: E+G levelling foot  
 GN 30-100-M12-60-A1-SK  
 Note: SK With nut, External hexagon at the bottom

## Measures



A/F1 = 17  
 $d_1$  = 100  
 $d_2$  = M12  
 $h_1$  = 20  
 $h_2$  = 6  
 $h_3$  = 28  
 $h_4$  = 60  
 $s$  = 3